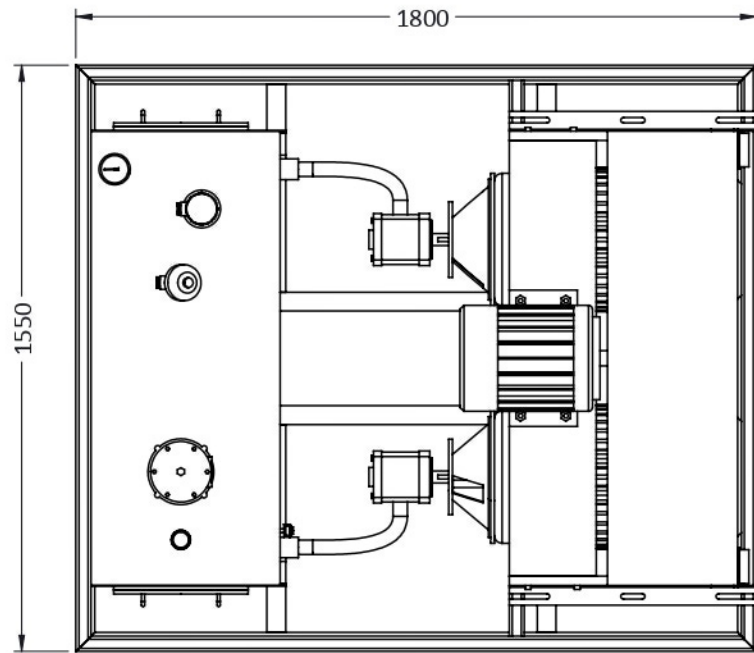
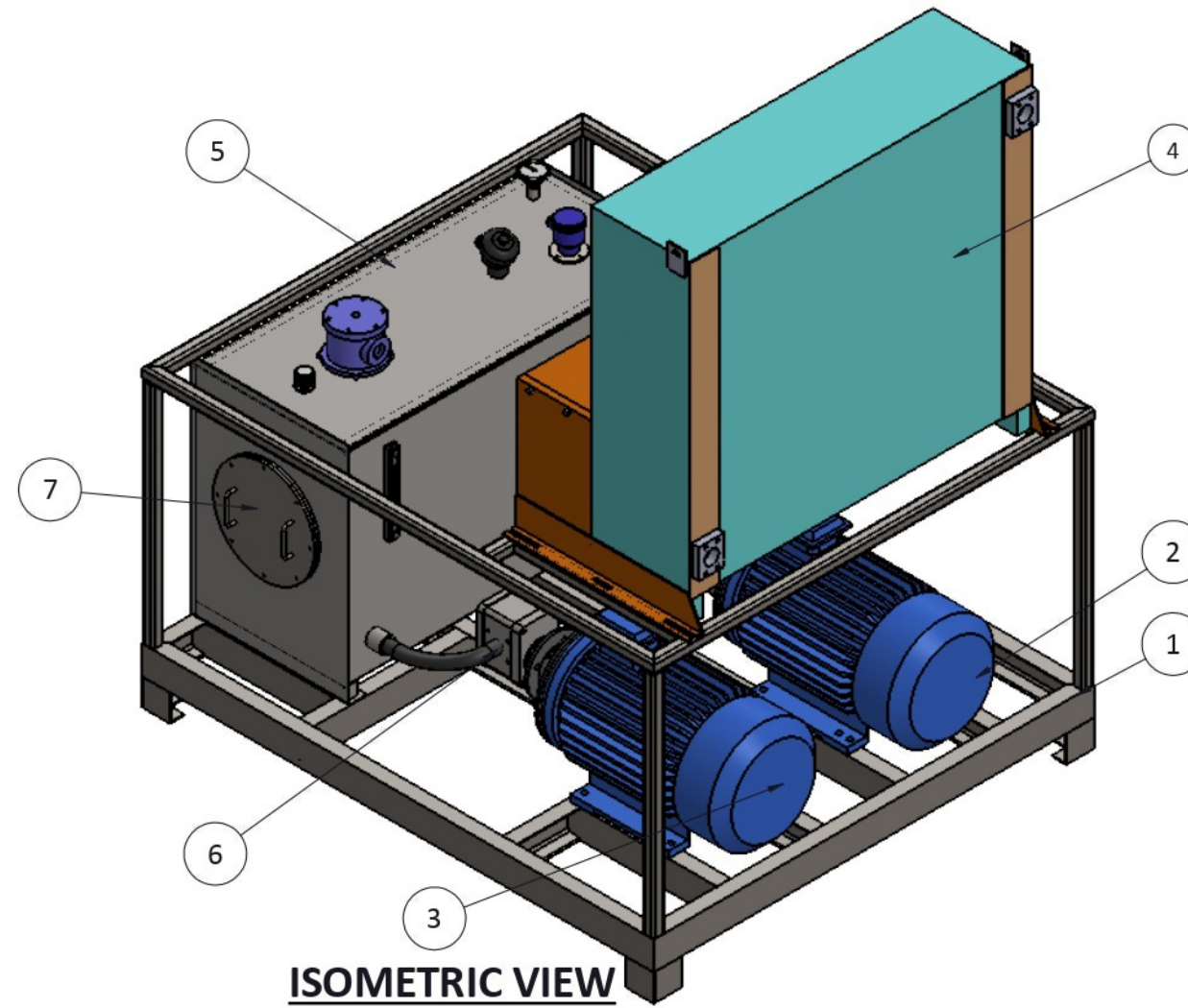


THIS DWG IS SOLE PROPERTY OF NEOMETRIX ENGINEERING PVT. LTD. UNAUTHORISED USE OF THIS DWG. OR MAKING PRODUCT AS PER THIS DWG. WITHOUT OUR PERMISSION OR ANY OTHER MISUSE IS NOT PERMITTED.

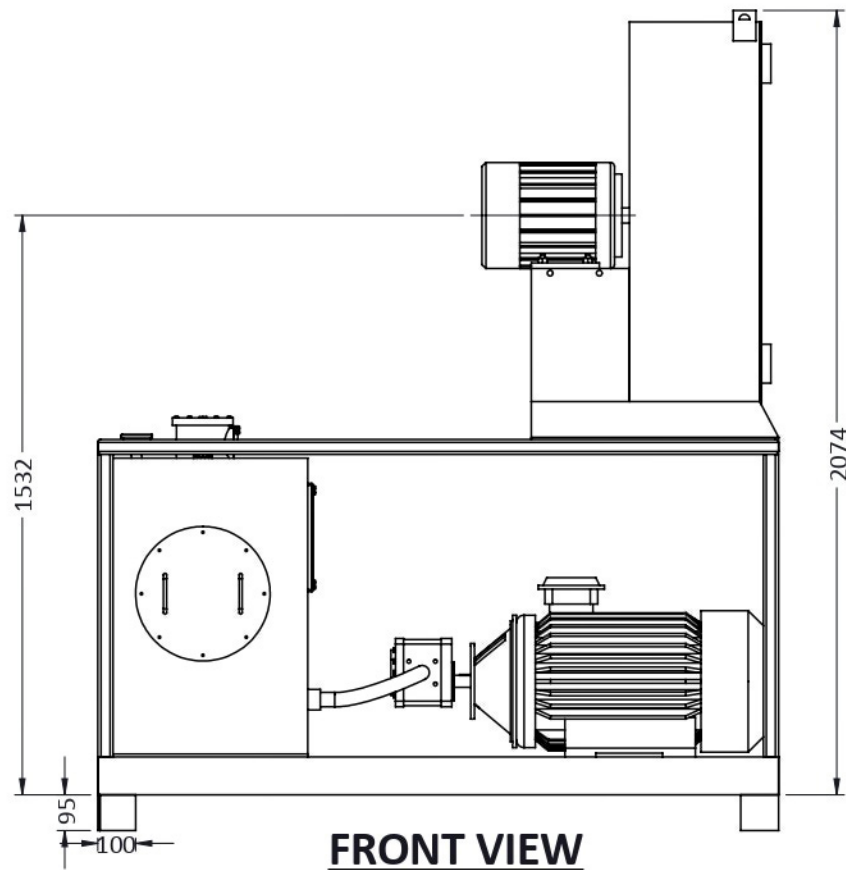


TOP VIEW

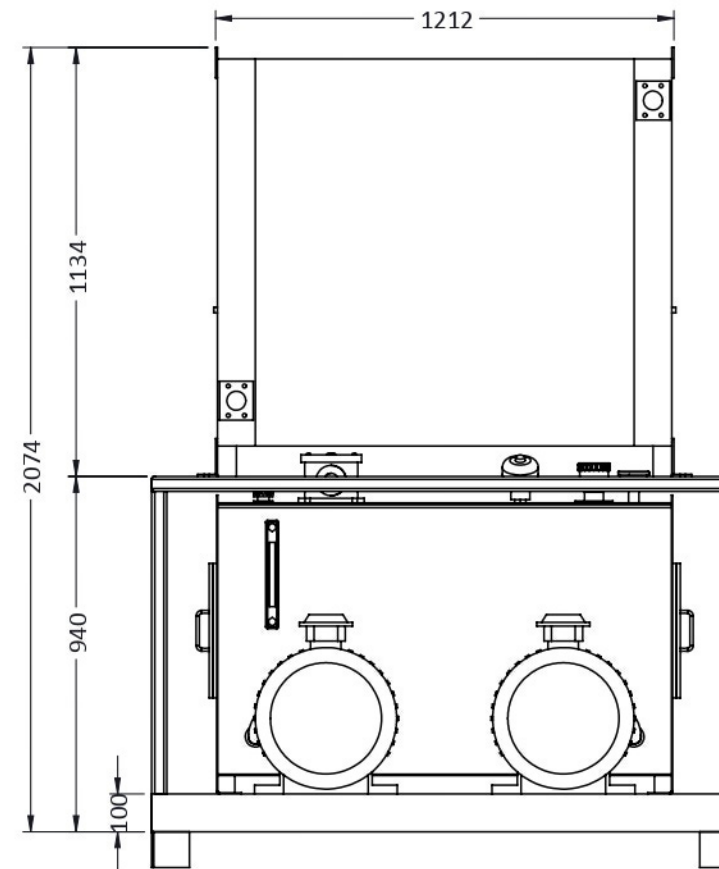


ISOMETRIC VIEW

PARTS TABLE		
SERIAL NO.	DESCRIPTION	PART NO.
1.	SKID FRAME	NX-A1782-DTB-SF-01
2.	ELECTRIC MOTOR	NX-A1782-DTB-EM-01
3.	ELECTRIC MOTOR	NX-A1782-DTB-EM-01-02
4.	AIR OIL COOLER	NX-A1782-DTB-AOC-01
5.	HYDRAULIC TANK	NX-A1782-DTB-HT-01
6.	GEAR PUMP	NX-A1782-DTB-GP-01
7.	MAN HOLE	NX-A1782-DTB-MH-01



FRONT VIEW



SIDE VIEW

DESIGN DATA			
ITEM NO.	NAME OF ITEM	DESCRIPTION	Qty.
1.	SKID FRAME	C-CHANNEL:-120X50X4.5 SQUARE TUBE:- 40X40X4	01
2.	ELECTRIC MOTOR	Rating:- 30 kW, RPM:- 1440,3 PHASE, 50 Hz	02
3.	HYDRAULIC TANK	400 Ltrs, SS 304	01
4.	GEAR PUMP	FLOW RATE: 113 LPM, WMP:140 bar	02
5.	AIR COOLED OIL COOLER	220 LPM, 18.5 kW, PR: 15-20 bar	01

POWER PACK FOR DTB

NOTE:
• All Dimensions are in mm.

NEOMETRIX
 www.neometrixgroup.com

NEOMETRIX ENGINEERING PVT. LTD.
 E-148, Sector-63, Noida, UP-201301
 Tel. No. :- 0120-4500800
 Fax No. :- 0120-4500888
 Email :- contact@neometrixgroup.com

MAIN TITLE	HYDRAULIC TEST EQUIPMENT FOR HSU	Q.A No.	
SUB - TITLE	DTB POWER PACK	Cross Ref. Doc. No.	
CODE	A1782	Customer Dwg./Ref. No.	
CUSTOMER		Note:	
CONTRACTOR	----		
PO. NO.	----		

PROJECTION	DRAWN BY & DATE	N.K	24/02/2018	Size	Scale	Sheet	NEO. DWG. No.	REV
	CHECKED BY & DATE	S.H	24/02/2018	A3	NTS	01	T-PED-A1782-GADWG-PP	01
	APPROVED BY & DATE	S.P.S	24/02/2018					