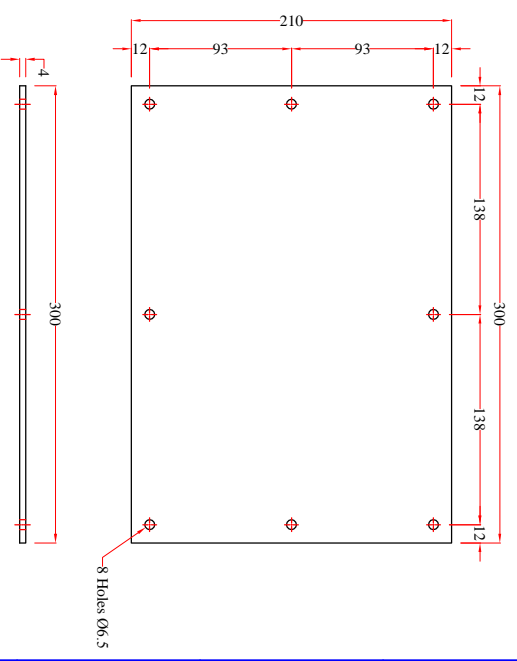
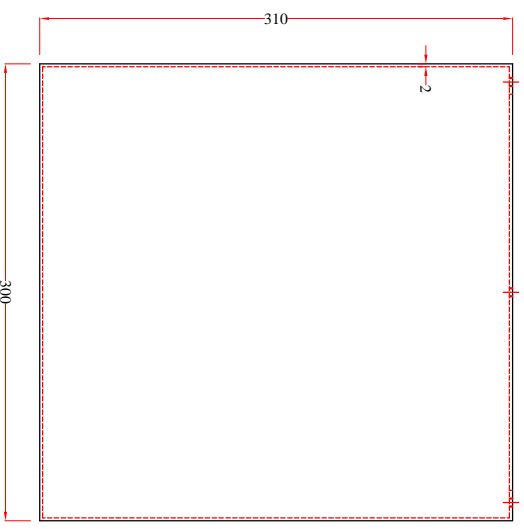
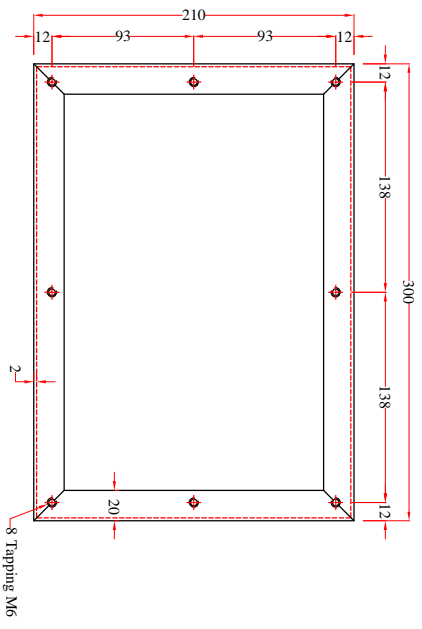


THIS DWG. IS SOLE PROPERTY OF NEOMETRIX ENGINEERING PVT. LTD.  
 UNAUTHORISED USE OF THIS DWG. OR MAKING PRODUCT AS PER THIS DWG.  
 WITHOUT OUR PERMISSION OR ANY OTHER MISUSE IS NOT PERMITTED.



Tank Top Plate



Note:-  
 • All Dimension are in mm.  
 • Chamfer is must.

MATERIAL:	SS	<b>NEOMETRIX ENGINEERING PRIVATE LIMITED</b>	
QUANTITY:	01 No.	E-10, SECTOR-10, GANDAPUR, NEW DELHI-110068 Tel. No:- 0120-4508080 Fax No:- 011-26150888 Email: sales@neometrix.in	
PREPARED BY:	SK	MAIN TITLE	TEST PAC
CHECKED BY:	KK	ASSEMBLY	MAIN ASSEMBLY
CHECKED BY:	SPS	PART	TANK
APPROVED BY:	SPS	PREPARED BY	SK
		CHECKED BY	RKT
		CHECKED BY	SPS
		APPROVED BY	SPS
		SCALE	NOT TO SCALE
		SHEET NO.	00
		DWG. NO.:-	T-PED-NDWG-P0366