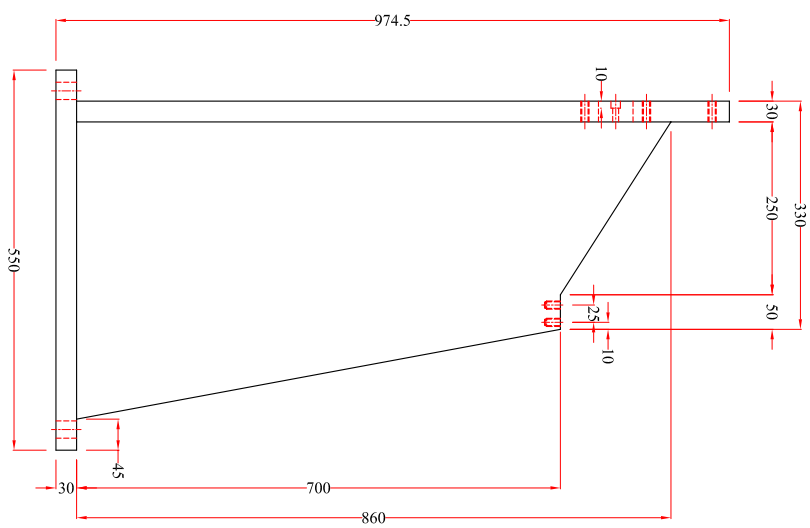
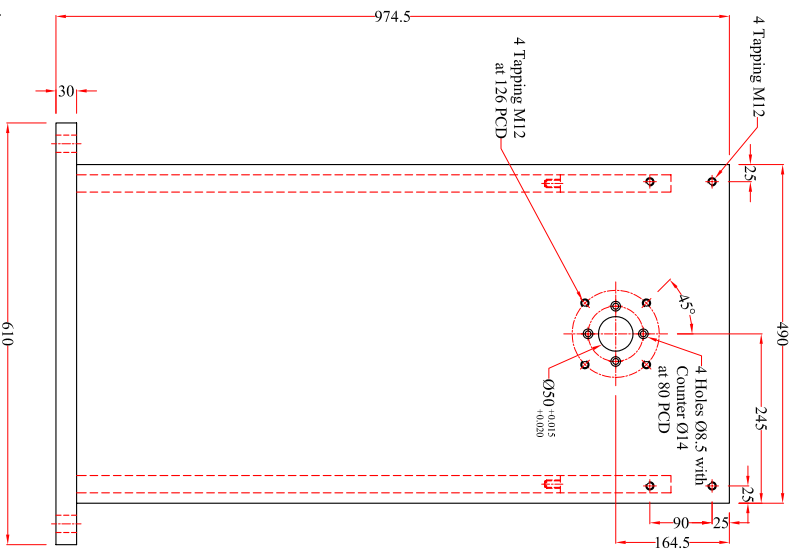
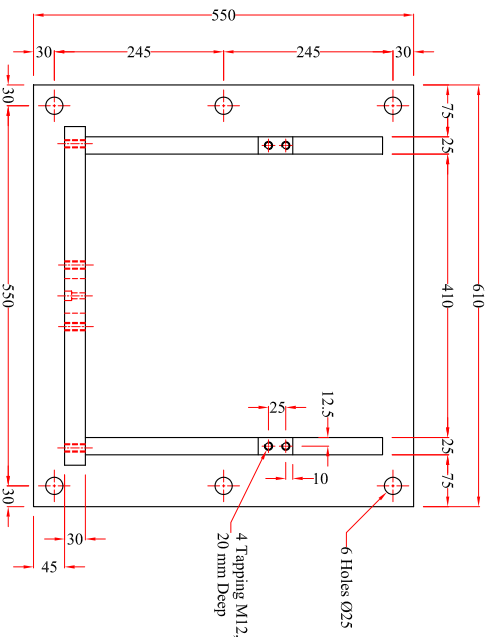


THIS DWG. IS SOLE PROPERTY OF NEOMETRIX ENGINEERING PVT.LTD.
UNAUTHORISED USE OF THIS DWG. OR MAKING PRODUCT AS PER THIS DWG.
WITHOUT OUR PERMISSION OR ANY OTHER MISUSE IS NOT PERMITTED.



Note:-
• All Dimension are in mm.
• Chamfer is must ALL CORNERS, HOLES & TAPPING.

Note:-
Chamfer 1.5x45° - All Corners
Chamfer 1x45° - All Holes & Tapping

Main Structure
Material:- M.S- Paint(Siemens Grey)
Qty:- 01 No.

		NEOMETRIX ENGINEERING PRIVATE LIMITED E-48, SECTOR-43 NOIDA Tel. No. - 0120-2550888 Fax No. - 0120-2550888 E-Mail: contact@neometrix.in	
MAIN TITLE	HEAD IMPACT	WEIGHT	
ASSEMBLY	MAIN ASSEMBLY	SCALE	NOT TO SCALE
PART	MAIN STRUCTURE	PROJECTION	REV. 01
DESIGNED BY	SK	SHEET NO.	
DRAWN BY	AKS	DWG. NO.:-	NX-MD-8650003
CHECKED BY	AKS		
APPROVED BY	SPS		