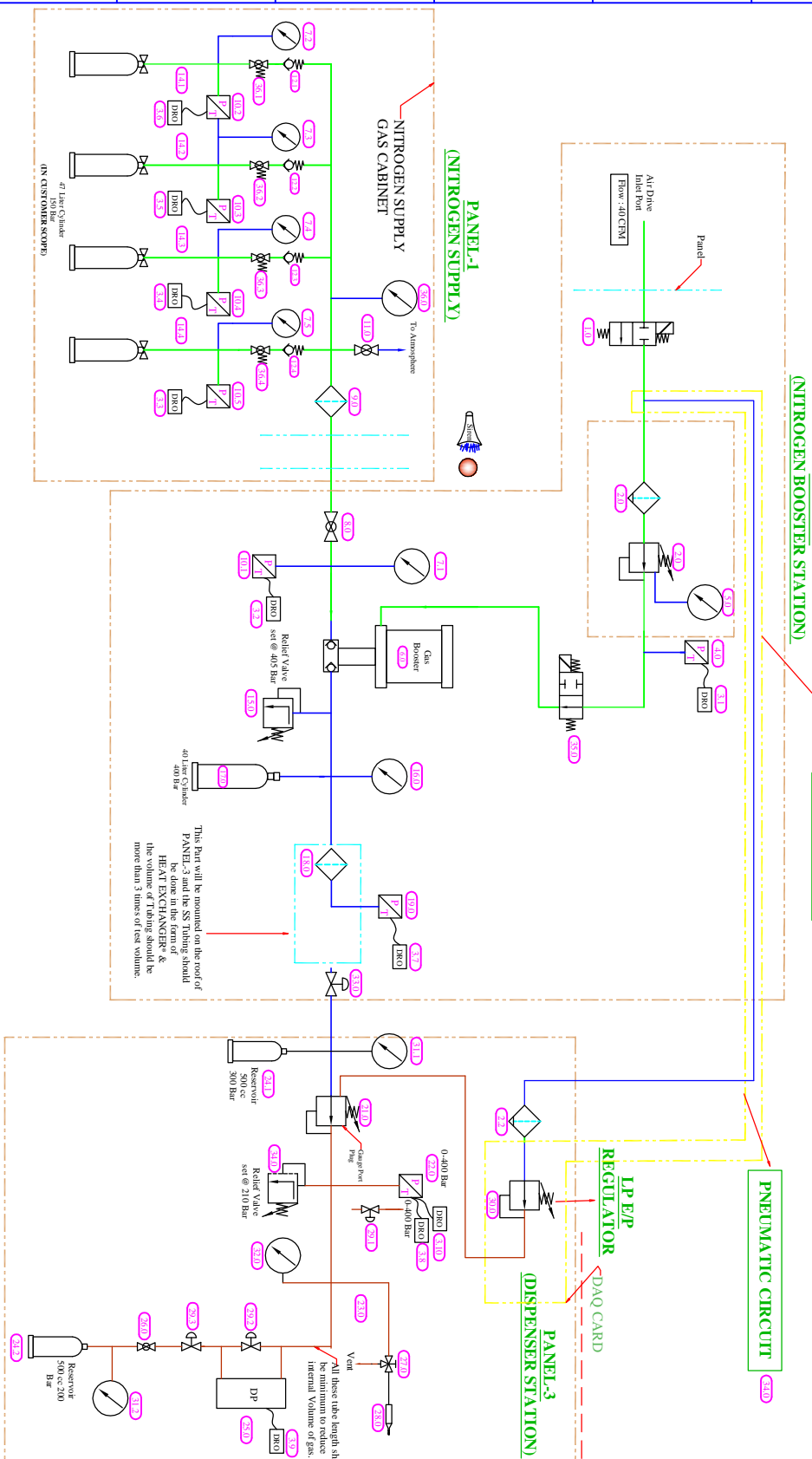


THIS DWG. IS SOLE PROPERTY OF PASKALS FLUID SYSTEMS PVT. LTD.
 UNAUTHORISED USE OF THIS DWG. OR MAKING PRODUCT AS PER THIS DWG.
 WITHOUT OUR PERMISSION OR ANY OTHER MISUSE IS NOT PERMITTED.

PNEUMATIC CIRCUIT FOR ELECTRICAL PRESSURE REGULATOR (HP)



This Part will be mounted on the roof of PANEL-3 and the SS Tubing should be done in the form of HEAT EXCHANGER & the volume of Tubing should be more than 3 times of test volume.

Part No.	Qty	Part No.	Qty	Part No.	Qty	Part No.	Qty
F1	6	F17	2	F25	10	F33	1
F2	15	F18	2	F26	2	F34	1
F3	2	F19	1	F27	1	F35	2
F4	1	F20	8	F28	1	F40	1
F5	1	F21	6	F29	2		
F6	1	F22	3	F30	1		
F7	1	F23	4	F31	1		
F8	5	F24	2	F32	1		

Part No.	Qty	Part No.	Qty	Part No.	Qty	Part No.	Qty
F9	1	F17	2	F25	10	F33	1
F10	3	F18	2	F26	2	F34	1
F11	6	F19	1	F27	1	F35	2
F12	12	F20	8	F28	1	F40	1
F13	2	F21	6	F29	2		
F14	4	F22	3	F30	1		
F15	1	F23	4	F31	1		
F16	2	F24	2	F32	1		

Part No.	Qty	Part No.	Qty	Part No.	Qty	Part No.	Qty
F17	2	F25	10	F33	1	F40	1
F18	2	F26	2	F34	1		
F19	1	F27	1	F35	2		
F20	8	F28	1				
F21	6	F29	2				
F22	3	F30	1				
F23	4	F31	1				
F24	2	F32	1				

PASKALS
 Advanced Fluid Systems

MAIN TITLE: PNEUMATIC CIRCUIT DIAGRAM
 MODEL NO: P0079
 END USER: ASHOK LEVILAND
 CUSTOMER: SHOK LEVILAND
 APPLICATION: CNG CIRCUIT LEAK TEST

DESIGNED BY: DATE: / /
 DRAWN BY: DATE: / /
 CHECKED BY: DATE: / /
 APPROVED BY: DATE: / /

REVISIONS:

NO.	DATE	DESCRIPTION
1		ISSUED FOR MANUFACTURE

Color	Tube Size(in)
Red	1/8"
Blue	1/4"
Green	1/2"